

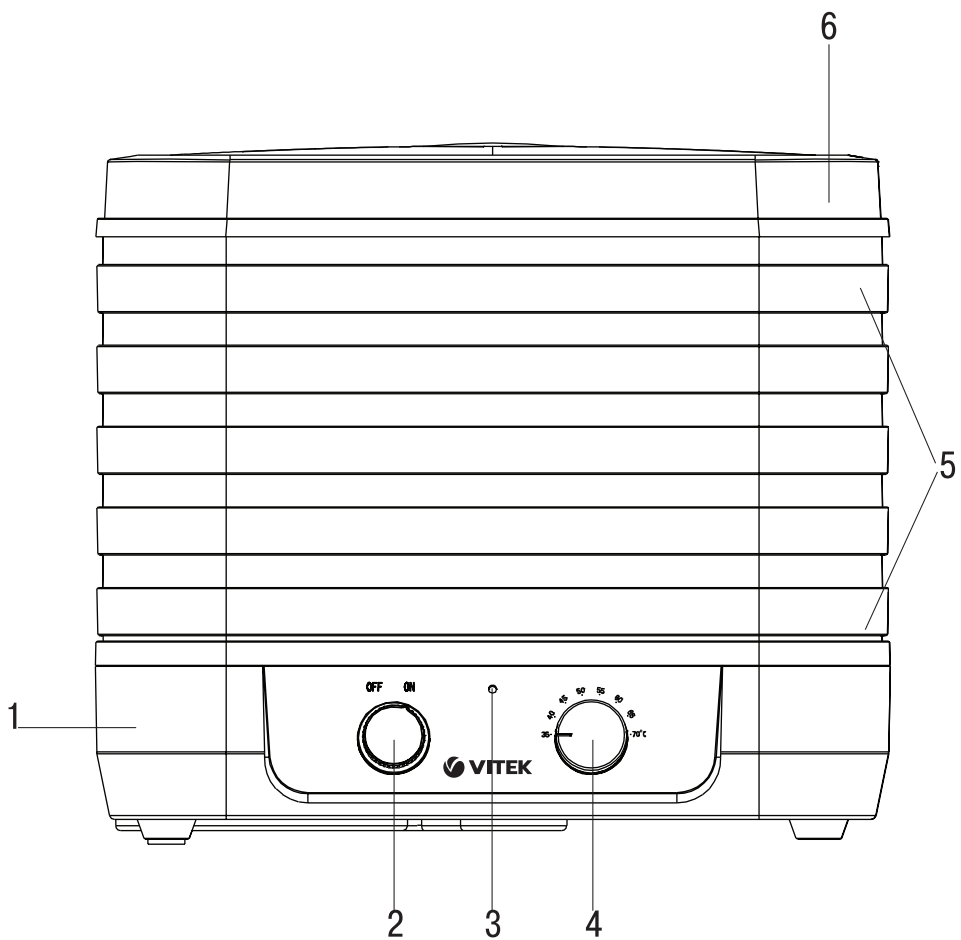
VT-5051 BK

Food dehydrator

Сушилка для овощей
и фруктов

Инструкция по эксплуатации

GB Manual instruction	3
RUS Инструкция по эксплуатации	7
KZ Пайдалану нұсқасы	13
UA Інструкція з експлуатації	18
KG Пайдалануу боюнча нускама	23



FOOD DEHYDRATOR VT-5051 BK

Use the electric dehydrator to preserve fruit and vegetables, dry-cure meat and fish, dry medicinal or flavoring herbs, dry various flowers etc.

Description

1. Body
2. Power switch button
3. Light indicator
4. Temperature control knob
5. Trays for dehydration with detachable grids
6. Lid

ATTENTION!

- For additional protection you can install a residual current device (RCD) with nominal operation current not exceeding 30 mA into the mains; contact specialist for installation.

SAFETY MEASURES

Before using the unit, read this instruction carefully and keep it for future reference.

Use the unit according to its intended purpose only, as it is stated in this user manual. Mishandling the unit can lead to its breakage and cause harm to the user or damage to his/her property.

- Before switching the unit on make sure that your home mains voltage corresponds to unit operating voltage.
- Use the unit only for the intended purposes, use only the attachments supplied with the unit.
- Place the unit on a heat-resistant flat stable surface, away from heat sources, moisture and direct sunlight.
- Do not switch the unit on in places where aerosols are sprayed or inflammable liquids are used.
- Do not use the unit outdoors.
- When using the unit we recommend to unwind the power cord to its full length.
- The power cord should not:
 - touch hot objects,
 - run over sharp edges.
- When unplugging the unit, pull the plug but not the cord.
- Do not touch the power plug with wet hands.
- Never leave the operating unit unattended.
- Continuous operation time of the unit should not exceed 70 hours. After 70 hours of operation switch the unit off, unplug it and let it cool down.
- Do not use and do not keep the unit in places, where it can fall into a bath or a sink, filled with water, do not immerse the unit into water or other liquids.

- If the unit was dropped into water, unplug it immediately. And only then you can take it out of water.
- Provide that water does not get into the ventilation openings of the unit.
- For children safety reasons do not leave polyethylene bags, used as a packaging, unattended.

Attention! Do not allow children to play with polyethylene bags or packaging film. **Danger of suffocation!**

- Do not allow children to touch the unit body, the power cord or the power plug during operation of the unit.
- Do not leave children unattended to prevent using the unit as a toy.
- Close supervision is necessary when children or disabled persons are near the operating unit.
- This unit is not intended for usage by children.
- Place the unit out of reach of children during the operation and cooling down.
- The unit is not intended for usage by physically or mentally disabled persons (including children) or by persons lacking experience or knowledge if they are not under supervision of a person who is responsible for their safety or if they are not instructed by this person on the usage of the unit.
- Do not use the dehydrator without upper lid; do not remove the lid for a long time during the unit operation.
- If you removed the lid to check dehydration process, be careful and do not place your face or other open parts of your body above the trays for dehydration.
- Do not touch hot surfaces of the unit.
- Trays for dehydration get hot during the operation of the unit. Allow them to cool before removal.
- Never insert any foreign objects into the unit body openings.
- Unplug the unit after every usage and before cleaning.
- Do not attempt to repair the unit. Do not disassemble the unit by yourself, if any malfunction is detected or after it was dropped, unplug the unit and apply to any authorized service center from the contact address list given in the warranty certificate and on the website www.vitek.ru.
- For environment protection do not discard the unit with usual household waste after its service life expiration; apply to a specialized center for further recycling.

ENGLISH

- To avoid damages, transport the unit in original package only.
- Keep the unit out of reach of children.

THE UNIT IS INTENDED FOR HOUSEHOLD USAGE ONLY

Before the first use

After unit transportation or storage at low temperature it is necessary to keep it for at least 3 hours at room temperature before switching on.

- Remove all stickers and packaging elements that can prevent unit operation.
- Make sure that unit operating voltage corresponds to voltage of your mains.
- Wash the trays for dehydration (5) and the lid (6) with warm water and neutral detergent, dry them thoroughly.
- Wipe the unit body (1) with a damp cloth and then wipe dry.

Attention! Never immerse the unit body into water or other liquids. Provide that water does not get into the ventilation openings of the unit body.

Using the unit

Note: During the first operation some foreign smell from the heating element is possible, this is normal.

- Before dehydration wash the products, dry them and cut into small pieces.
- Put the products on the trays for dehydration (5) providing space for hot air circulation between the pieces. Remember that hot air should circulate freely in the trays (5).
- Install the trays (5) on one another. Install all the 5 trays even if some of them are empty.

Note:

- If you use very thin slices of products, install the trays (5) on one another;
- when dehydrating thicker slices rotate the upper tray (5) to 180° relative to the bottom tray (5);
- if you need to dehydrate an even thicker product, you can remove one or more detachable grids inside the trays (5).
- Cover the trays (5) with the lid (6).
- Insert the power plug into the mains socket.
- Set the required heating temperature using the knob (4). Set low temperature if the pieces are thin and small or if some trays (4) are empty. Set high temperature for thick and big pieces (see chapter «Temperature and duration of dehydration»).
- Switch the unit on by pressing the power switch button (2), the light indicator (3) will light up.

Note: This dehydrator works on the principle of natural air convection, so the ingredients located on the lower trays are exposed to hotter and drier air and so they are dried faster. For the best results of dehydration we recommend to place moister food on the lower trays and interchange the lower and upper trays periodically. Before interchanging the trays switch the unit off by pressing the power switch button (2).

- After you finish dehydrating the products, switch the unit off by pressing the power switch button (2) and unplug the unit.

Notes:

- Check food readiness every hour. If products are dried unevenly, you can turn them or interchange the trays (5) for more even dehydration.
- Time of drying for every type of product is set individually and depends on the quality and size of the used food products, temperature and relative humidity of the room. For further information see chapter «Temperature and time of dehydration».
- Let the unit and dried products cool down.
- Pack the ready products into packages or jars, put away for storage (see chapter «Storage of food»).

RECOMMENDATIONS

To avoid food intoxication and intestinal diseases strictly follow the recommendations below.

- Wash your hands carefully before preparing products for dehydration.
- Keep operating surfaces clean. Wash the trays (5) and the lid (6) with warm water and neutral detergent after every use. Do not touch the products with bare hands if you have cuts, ulcers on your hands or if you have any skin diseases.
- Checking the food readiness, do not touch the products with your hands; use a fork, a spatula or other kitchen tools.
- Do not allow pets to enter the kitchen during food dehydration.

Choosing vegetables and fruits for drying

- Use only fresh fruits or vegetables.
- Only ripe fruits are suitable for drying, green fruits may become acquire foreign flavor.
- Overripe fruits may change their color after drying.
- Cut off any rotted parts.
- Not all vegetables are suitable for drying because unlike the fruits vegetables contain less sugar and acid. It is recommended to

- freeze some vegetables, for instance broccoli or asparagus, better than to dry.
- Vegetables are ready if they are hard and dry.

Preparation of products

- Wash the products carefully.
- Remove the stones and rotten parts of the fruits.
- If necessary, peel off the vegetables skin. Always peel off the skin if the vegetables are covered with wax.
- Remove the fruits stalks.
- Cut the vegetables or fruits in slices or cubes.
- Berries or grapes should be dried whole.
- Dry the greens or spice herbs whole with stems.
- If you want to improve the taste and prolong the storage life of the products, preprocess them. This is not obligatory.
- Try drying preprocessed products and not processed products and decide which way of cooking suits you better.

Preprocessing of fruits

- You can use pine apple, lemon, orange or lime juice to keep natural color of fruits. Dip the fruits pieces into the juice for 2 minutes, then let them dry and put them on the trays for dehydration (5).
- Use natural juice made of the same type of fruits that are intended for drying (for instance, apple juice for apples) to enhance the natural taste of fruits. Dilute 1/4 glass of juice with two glasses of water; soak the fruits in the solution for 2 hours.
- Some fruits are covered with layer of natural wax (dates, grapes, cranberry, plums etc.). To remove the wax and speed up the drying of products put them into boiling water for 1-2minutes.

Preprocessing of vegetables

Preprocessing of vegetables destroys ferments that cause the change of taste of products during the storage.

Steam treatment or microwave oven treatment of vegetables is more preferable than boiling water.

- Put the vegetables on the upper tray of a food steamer and warm them up for 2-3 minutes. Right after that put vegetables on the trays (5).
- Put the vegetables into the container suitable for microwave oven, add some water. Cover the container with a lid and put it into a microwave oven. Set the time which makes 1/4 of the time of cooking, specified in the instruction manual for your microwave oven. Put ready vegetables on the trays (5).

- Put the pieces of vegetables into boiling water for 3-4 minutes, dry them with paper towel and then put on the trays for dehydration (5).

Temperature and duration of dehydration

Food dehydration time indicated in the tables may be used for reference only, because time of drying for every ingredient is set individually and depends on the quality and size of the used food products, temperature and relative humidity of the room.

After learning the food dehydrator better, you will be able to set the desired time of dehydration by yourself.

Ready fruits should be soft, without moisture. Overdried fruits are stored worse and contain fewer nutrients.

Dried vegetables should be hard and brittle.

Recommended temperature

Products	Temperature (°C)
Herbs, greens	40-45
Baked breads	40-55
Vegetables	40-55
Fruits	55-60
Meat, fish	55-70

Note: If you didn't dry all products at a time, you can continue drying at any appropriate time. In this case let the products in the trays (5) cool down to room temperature, put them into polyethylene bags or food containers and place them in the freezer.

Additional functions

Herbs, flowers, spices

- Practically all herbs are suitable for drying.
- Dry spice herbs together with stems, separate leaves from stems after drying.
- Make sure that the herbs are well-dried; otherwise they may start to rot.
- You can use dried flowers for making fragrant sachets.

Drying of meat and fish

- You can dry raw or cooked meat or fish. Preprocessing of meat or fish keeps you healthy and is obligatory.
- You can use dried meat or fish for making first or main courses. Before use soak it in water or broth for 1 hour.

ENGLISH

- Dry only lean meat without fat (for instance, beef or poultry meat) and only fresh fish.
- Keep fish and meat in the marinade or boil before cooking.

Recipe of the marinade

0,5 glass soy sauce
1 tea spoon cut garlic
2 tbl. spoons tomato paste
1,25 tea spoon salt
0,5 tea spoon ground pepper

Cooking of jerked beef

Cut beef into small pieces against fiber. Put the pieces of meat into the marinade for 3 hours, then remove and dry. Put the pieces on the trays for dehydration, dry for 8-15 hours. Keep jerked beef in hermetic package at room temperature no longer than 2 weeks, in the fridge – no longer than 3 months.

Cooking of dried fish

Do not use frozen fish for drying. Remove the bones, cut the fish into pieces. Put fish into salt solution (half a glass of salt with 1L water) and put the container into the fridge for 30 minutes, then remove fish pieces and dry. Put fish pieces on the plate, add salt and spice (1 tea spoon salt for 1 kg fish). Cover the plate and put it into the fridge for 6 hours.

Put the pieces of fish on the trays for dehydration (4) and dry till the juice stops dripping. Keep the prepared fish in the fridge for no longer than 3 months.

Drying of cooked fish or meat

Boil the fish or meat before cooking. Remove the fat, cut the products into cubes. Dry until ready. Keep in hermetic package at room temperature no longer than 2 weeks, in the fridge - no longer than 3 months.

Storage of food

Proper package prolongs storage life of dried food.

- Let the products cool down completely after drying, then pack them into hermetic plastic packages. For the best result keep the food in vacuum packages.
- Mark the containers or packages for dried food with the name of the product and sign the date of drying.
- To prevent the food spoiling, regularly check the packages for moisture. If there is moisture, dry the products again.
- Keep the products in a dry cool place. Optimal storage temperature for dried products should

not exceed 15°C. Keep the dried food in the fridge or freezer.

- Compared to vegetables fruits contain more sugar and acid so they are more suitable for drying and storage. Check the dried fruits regularly.
- Keep dried fruits, vegetables, greens, medicinal plants, nuts and baked breads in the fridge/freezer for no longer than 1 year.

Cleaning and care

- Switch the unit off using the power switch (2), unplug it and let the unit cool down.
- Wash the trays (5) and the lid (6) with warm water and neutral detergent, dry them thoroughly.
- Do not use abrasives and solvents to clean the unit body (1) or trays (5).
- Wipe the dehydrator body (1) with a slightly damp soft cloth and then wipe dry.
- Do not immerse the unit body (1) into water or other liquids. Provide that water does not get into the ventilation openings of the unit body.

Storage

- Clean the unit before taking it away for storage.
- Keep the unit away from children in a dry cool place.

Delivery set

Food dehydrator – 1 pc.
Instruction manual – 1 pc.

Technical specifications

Power supply: 220-240 V ~ 50 Hz
Power: 250 W
Capacity: 10 l

The manufacturer preserves the right to change the specifications of the unit without a preliminary notification.

Unit operating life is 3 years

Guarantee

Details regarding guarantee conditions can be obtained from the dealer from whom the appliance was purchased. The bill of sale or receipt must be produced when making any claim under the terms of this guarantee.



This product conforms to the EMC-Requirements as laid down by the Council Directive 2004/108/EC and to the Low Voltage Regulation (2006/95/EC)

СУШИЛКА ДЛЯ ОВОЩЕЙ И ФРУКТОВ VT-5051 BK

Используя электрическую сушилку, Вы можете заготавливать овощи, фрукты, вялить мясо, рыбу, сушить лекарственные или пряные травы, засушивать разнообразные цветы и т.п.

Описание

1. Корпус
2. Кнопка выключателя питания
3. Световой индикатор
4. Регулятор температуры
5. Секции для сушки со съёмными решётками
6. Крышка

ВНИМАНИЕ!

- Для дополнительной защиты целесообразно в цепи питания установить устройство защитного отключения (УЗО) с номинальным током срабатывания, не превышающим 30 мА; для установки следует обратиться к специалисту.

МЕРЫ БЕЗОПАСНОСТИ

Перед началом эксплуатации устройства внимательно прочитайте настоящую инструкцию по эксплуатации и сохраните её для использования в качестве справочного материала.

Используйте устройство только по его прямому назначению, как изложено в данной инструкции. Неправильное обращение с прибором может привести к его поломке, причинению вреда пользователю или его имуществу.

- Перед включением убедитесь в том, что напряжение электрической сети соответствует рабочему напряжению устройства.
- Используйте прибор только по его прямому назначению, применяйте только те аксессуары, которые входят в комплект поставки.
- Устанавливайте устройство на теплостойкой ровной устойчивой поверхности, вдали от источников тепла, влаги и прямого солнечного света.
- Не включайте прибор в местах, где распыляются аэрозоли или используются легковоспламеняющиеся жидкости.
- Не используйте прибор вне помещений.
- При эксплуатации прибора рекомендуется размотать сетевой шнур на всю его длину.

- Сетевой шнур не должен:
 - соприкасаться с горячими предметами,
 - протягиваться через острые кромки.
- Вынимая вилку сетевого шнура из электрической розетки, не тяните за шнур, а держитесь за вилку.
- Не беритесь за вилку сетевого шнура мокрыми руками.
- Никогда не оставляйте работающий прибор без присмотра.
- Время непрерывной работы не должно превышать 70 часов. По истечении 70 часов работы выключите устройство, отключите его от электрической сети и дайте прибору остыть.
- Не используйте и не храните устройство в местах, где оно может упасть в ванну или раковину, наполненную водой, не погружайте устройство в воду или в любую другую жидкость.
- Если устройство упало в воду, немедленно извлеките сетевую вилку из электрической розетки, и только после этого можно достать прибор из воды.
- Не допускайте попадания воды в вентиляционные отверстия прибора.
- Из соображений безопасности детей не оставляйте полиэтиленовые пакеты, используемые в качестве упаковки, без надзора.

Внимание! Не разрешайте детям играть с полиэтиленовыми пакетами или упаковочной плёнкой. **Опасность удушья!**

- Не разрешайте детям прикасаться к корпусу устройства, к сетевому шнуру или к вилке сетевого шнура во время работы устройства.
- Осуществляйте надзор за детьми, чтобы не допустить использования прибора в качестве игрушки.
- Будьте особенно внимательны, если поблизости от работающего устройства находятся дети или лица с ограниченными возможностями.
- Данное устройство не предназначено для использования детьми.
- Во время работы и в перерывах между рабочими циклами размещайте устройство в местах, недоступных для детей.
- Прибор не предназначен для использования лицами (включая детей) с пони-

женными физическими, психическими или умственными способностями или при отсутствии у них опыта или знаний, если они не находятся под контролем или не проинструктированы лицом, ответственным за их безопасность, об использовании прибора.

- Запрещается использовать сушилку без верхней крышки, во время работы прибора не снимайте крышку на длительное время.
- Если вы сняли крышку, чтобы проконтролировать процесс сушки, то соблюдайте осторожность и не располагайте лицо или другие открытые участки тела над секциями для сушки.
- Не прикасайтесь к горячим поверхностям устройства.
- Секции для сушки во время работы нагреваются. Перед снятием дайте им остыть.
- Не вставляйте посторонние предметы в любые отверстия корпуса прибора.
- Всякий раз после использования или перед чисткой отключайте прибор от электрической сети.
- Запрещается использовать устройство при наличии повреждений сетевой вилки или сетевого шнура, если устройство работает с перебоями, а также после его падения.
- Запрещается самостоятельно ремонтировать прибор. Не разбирайте прибор самостоятельно, при возникновении любых неисправностей, а также после падения устройства отключите прибор от электросети и обратитесь в любой авторизованный (уполномоченный) сервисный центр по контактным адресам, указанным в гарантийном талоне и на сайте www.vitek.ru.
- В целях защиты окружающей среды, после окончания срока службы прибора не выбрасывайте его вместе с бытовыми отходами, передайте прибор в специализированный пункт для дальнейшей утилизации.
- Во избежание повреждений перевозите устройство только в заводской упаковке.
- Храните устройство в местах, недоступных для детей.

УСТРОЙСТВО ПРЕДНАЗНАЧЕНО ТОЛЬКО ДЛЯ БЫТОВОГО ИСПОЛЬЗОВАНИЯ

Перед первым использованием
После транспортировки или хранения устройства при пониженной температуре необходимо выдержать его при комнатной температуре не менее 3 часов.

- Удалите любые элементы упаковки и наклейки, мешающие работе устройства.
- Убедитесь в том, что рабочее напряжение устройства соответствует напряжению электросети в вашем доме.
- Промойте секции для сушки (5) и крышку (6) тёплой водой с нейтральным моющим средством, тщательно просушите.
- Корпус прибора (1) протрите влажной тканью, затем вытрите насухо.

Внимание! Запрещается погружать корпус прибора в воду или в любые другие жидкости. Не допускайте попадания воды в вентиляционные отверстия корпуса прибора.

Использование устройства

Примечание: При первом использовании возможно появление постороннего запаха при работе нагревательного элемента, это допустимо.

- Продукты перед сушкой необходимо промыть, высушить и порезать на небольшие кусочки.
- Разложите продукты на секциях для сушки (5) так, чтобы обеспечить свободный проход горячего воздуха между кусочками. Помните, что горячий воздух должен свободно циркулировать в секциях (5).
- Установите секции (5) друг на друга. Устанавливайте все 5 секций, даже если некоторые из них не заполнены.

Примечание: - Если вы используете совсем тонкие кусочки продуктов, то ставьте секции (5) друг на друга;

- При сушке более толстых кусочков продуктов, переверните верхнюю секцию (5) относительно нижней секции (5) на 180 градусов;
- Если необходимо высушить продукт с ещё большей толщиной, Вы можете снять одну или несколько съёмных решёток внутри секций (5).
- Накройте секции (5) крышкой (6).
- Вставьте вилку сетевого шнура в электрическую розетку.
- Установите температуру нагрева регулятором (4). Установите низкую температуру,

если кусочки тонкие и маленькие или если некоторые секции (4) пустые. Для толстых и больших кусочков установите высокую температуру (см. раздел «Температура и продолжительность приготовления»).

- Включите устройство, нажав на кнопку выключателя питания (2), при этом загорится световой индикатор (3).

Примечание: Сушилка работает по принципу естественной конвекции воздуха, поэтому ингредиенты, расположенные на нижних секциях, подвержены воздействию более горячего и сухого воздуха и высыхают быстрее. Для обеспечения наилучших результатов сушки рекомендуется укладывать более влажные ингредиенты на нижние секции и периодически менять нижние и верхние секции местами. Перед тем как поменять секции местами, выключите устройство, нажав на кнопку выключателя питания (2).

- По окончании сушки продуктов, выключите устройство, нажав на кнопку выключателя питания (2) и выньте вилку сетевого шнура из розетки.

Примечания:

- Каждый час проверяйте продукты на готовность. Если продукты сушатся неравномерно, вы можете перевернуть ингредиенты или менять местами секции (5) для более равномерной сушки.
- Время сушки каждого ингредиента подбирается индивидуально и зависит от качества, размера, температуры и относительной влажности в помещении. Более подробную информацию смотрите в разделе «Температура и продолжительность приготовления».
- Дайте устройству и высушенным ингредиентам остыть.
- Расфасуйте готовые ингредиенты в пакеты или банки и уберите их на хранение (см. раздел «Хранение продуктов»).

РЕКОМЕНДАЦИИ

Во избежание пищевых отравлений или кишечных заболеваний строго соблюдайте ниже следующие рекомендации.

- Тщательно вымойте руки перед подготовкой продуктов к сушке.
- Соблюдайте чистоту рабочих поверхностей. После каждого использования

сушилки промывайте секции (5) и крышку (6) тёплой водой с нейтральным моющим средством. Если у вас на руках имеются порезы, язвы, или если вы страдаете кожными заболеваниями, не касайтесь продуктов руками.

- Проверая, готовы ли продукты, не касайтесь их руками, а используйте для этого вилку, кухонную лопатку или другие приспособления.
- Не допускайте домашних животных на кухню во время использования сушилки.

Выбор овощей и фруктов для сушки

- Используйте только свежие фрукты или овощи.
- Только спелые фрукты, пригодные для сушки, незрелые плоды могут приобрести посторонний привкус.
- Перезрелые фрукты могут изменить свой цвет после сушки.
- Вырезайте любые подпорченные места.
- Не все овощи пригодны для сушки, так как в отличие от фруктов они содержат меньшее количество сахаров и кислот. Некоторые овощи, например, брокколи или спаржу, рекомендуется не сушить, а замораживать.
- Овощи готовы, если они стали сухими и твёрдыми.

Подготовка продуктов

- Тщательно промойте продукты.
- Удалите у фруктов косточки и повреждённые части.
- При необходимости удалите с овощей толстую кожу. Обязательно срежьте кожу, если овощи покрыты воском.
- Удалите плодоножки у фруктов.
- Порежьте овощи или фрукты ломтиками или кубиками.
- Ягоды или виноград сушите целиком.
- Зелень или пряные травы сушите вместе со стеблями.
- Чтобы улучшить вкусовые качества продуктов и увеличить их срок хранения, предварительно обработайте их перед сушкой. Данный шаг не является обязательным.
- Попробуйте сушить продукты с предварительной обработкой и без неё и решите, какой способ приготовления подходит именно для вас.

РУССКИЙ

Предварительная обработка фруктов

- Для сохранения естественного цвета фруктов используйте сок ананаса, лимона, апельсина или лайма. Опустите кусочки фруктов в сок на 2 минуты, затем дайте им обсохнуть и выложите на секции (5) для сушки.
- Для усиления вкуса фруктов используйте натуральный сок из тех фруктов, которые подвергаются сушке (например, яблочных сок для яблок). Четверть стакана сока разведите в двух стаканах воды, замочите фрукты в растворе на 2 часа.
- Некоторые фрукты покрыты слоем натурального воска (финики, виноград, клюква, сливы и т.п.). Чтобы удалить воск и ускорить процесс сушки, опустите продукты в кипящую воду на 1-2 минуты.

Предварительная обработка овощей

Предварительная обработка овощей разрушает ферменты, которые вызывают изменение вкуса в процессе сушки и хранения.

Обработка овощей паром или в микроволновой печи предпочтительнее обработки кипятком.

- Положите овощи на верхний лоток пароварки и прогрейте их в течение 2-3 минут. Сразу переложите овощи на секции (5).
- Положите овощи в подходящую ёмкость для использования в СВЧ-печах и добавьте в неё небольшое количество воды. Закройте ёмкость крышкой и поместите её в микроволновую печь. Установите время, которое составляет $\frac{1}{4}$ от времени варки, указанного в инструкции к вашей СВЧ-печи. Готовые овощи переложите на секции (5).
- Опустите порезанные овощи в кипящую воду, через 3-4 минуты достаньте их, обсушите бумажным полотенцем, затем разложите на секциях (5).

Температура и продолжительность сушки

Приведённые ниже данные о температуре и продолжительности приготовления несут рекомендательный характер, поскольку время сушки каждого ингредиента подбирается индивидуально и зависит от качества и размера продуктов, а также от температуры и относительной влажности в помещении.

По мере освоения сушки для овощей и фруктов вы сами сможете подобрать желаемое время сушки.

Готовые фрукты должны быть мягкими, без влаги. Пересушенные фрукты хуже хранятся и содержат меньше питательных веществ.

Высушенные овощи должны быть твёрдыми и ломкими.

Рекомендуемая температура приготовления

Продукты	Температура (°C)
Травы, зелень	40-45
Сухарики из хлеба	40-55
Овощи	40-55
Фрукты	55-60
Мясо, рыба	55-70

Примечание: Если вы не успели высушить продукты за один приём, вы можете продолжить сушку в удобное для вас время. В этом случае остудите продукты в секциях сушилки (5) до комнатной температуры, переложите продукты в полиэтиленовые пакеты или пищевые контейнеры и поместите их в морозильную камеру холодильника.

ДОПОЛНИТЕЛЬНЫЕ ВОЗМОЖНОСТИ

Травы, цветы, пряности

- Практически любые травы пригодны для сушки.
- Сушите пряные травы вместе со стеблями, после сушки отделите листья от стеблей.
- Убедитесь в том, что травы хорошо высушены, в противном случае может начаться процесс гниения.
- Высушенные цветы можно использовать для составления ароматных саше.

Сушка мяса и рыбы

- Сушите сырое или приготовленное мясо или рыбу. Предварительная подготовка мяса или рыбы сохраняет ваше здоровье и является обязательной.
- Вяленое мясо или рыбу можно использовать для приготовления первых или вторых блюд. Перед употреблением замочите их в воде или в бульоне на 1 час.
- Выбирайте для сушки только постное мясо без жира (например, говядину, птицу) и только свежую рыбу.
- Рыбу и мясо предварительно замаринуйте или отварите.

Рецепт маринада:

- 0,5 стакана соевого соуса
- 1 чайная ложка нарезанного чеснока
- 2 столовые ложки томатной пасты
- 1,25 чайной ложки соли
- 0,5 чайной ложки молотого перца

Приготовление вяленого мяса

Говядину порежьте поперёк волокон на небольшие кусочки. Положите ломтики мяса в маринад на 3 часа, затем извлеките и обсушите. Разложите кусочки на секции для сушки, сушите в течение 8-15 часов. Вяленое мясо храните в герметичной упаковке при комнатной температуре не более 2 недель, в холодильнике – не более 3 месяцев.

Приготовление вяленой рыбы

Для приготовления вяленой рыбы не используйте замороженную рыбу. Удалите кости, порежьте рыбу на кусочки. Поместите рыбу в раствор соли (полстакана соли на 1 литр воды) и на 30 минут поставьте в холодильник, извлеките кусочки рыбы и обсушите. Положите кусочки рыбы на блюдо и посыпьте солью с приправами (1 чайная ложка соли на 1 кг рыбы). Закройте блюдо и поставьте в холодильник на 6 часов. Кусочки рыбы выложите в секции для сушки (4) и сушите до тех пор, пока не перестанет выделяться сок. Храните рыбу в холодильнике не более 3 месяцев.

Сушка готовой рыбы или мяса

Заранее отварите рыбу или мясо. Удалите жир, порежьте кубиками. Сушите до готовности. Храните в герметичной упаковке при комнатной температуре не более 2 недель, в холодильнике – не более 3 месяцев.

Хранение продуктов

Правильная упаковка сушёных продуктов увеличивает срок хранения.

- Дайте продуктам полностью остыть после сушки, затем поместите их в герметичные пластиковые пакеты. Наилучший результат даёт хранение продуктов в вакуумной упаковке.
- На пищевых контейнерах или пакетах, в которых будут храниться высушенные про-

дукты, сделайте отметку о наименовании продукта и проставьте дату сушки.

- Чтобы предупредить порчу продуктов, периодически проверяйте, не образовалась ли влага в упаковках с сушеными продуктами. Обнаружив влагу, повторно высушите продукты.
- Храните продукты в темном прохладном месте. Оптимальная температура для хранения сушеных продуктов должна быть не выше 15°C. Для хранения сушёных продуктов используйте холодильное или морозильное отделение холодильника.
- По сравнению с овощами, фрукты содержат больше сахара и кислот, поэтому более пригодны для сушки и хранения. Регулярно проверяйте состояние сушёных фруктов.
- Храните сушёные фрукты, овощи, зелень, лечебные травы, орехи и сухари в холодильнике/морозильнике не более 1 года.

Чистка и уход

- Выключите устройство выключателем (2) и извлеките вилку сетевого шнура из электрической розетки, дайте устройству остыть.
- Вымойте секции (5) и крышку (6) тёплой водой с нейтральным моющим средством, просушите.
- Запрещается использовать для чистки корпуса (1) или секций (5) абразивные моющие средства или растворители.
- Корпус сушилки (1) протрите мягкой, слегка влажной тканью, затем вытрите насухо.
- Не погружайте корпус (1) в воду и в любые другие жидкости. Не допускайте попадания воды в вентиляционные отверстия корпуса (1).

Хранение

- Перед тем, как убрать устройство на хранение, произведите чистку устройства.
- Храните устройство в сухом прохладном месте, недоступном для детей.

Комплект поставки

- Сушилка – 1 шт.
- Инструкция по эксплуатации – 1 шт.

РУССКИЙ

Технические характеристики

Электропитание: 220-240 В ~ 50 Гц

Мощность: 250 Вт

Объём 10 л

Производитель оставляет за собой право изменять характеристики устройств без предварительного уведомления.

Срок службы прибора – 3 года



Данное изделие соответствует всем требуемым европейским и российским стандартам безопасности и гигиены.

Изготовитель: АНДЕР ПРОДАКТС ГмбХ, Австрия

Адрес: Нойбаугюртель 38/7А, 1070 Вена, Австрия

Информация для связи – email: anderproduct@gmail.com

Информация об Импортере указана на индивидуальной упаковке.

Информация об авторизованных (уполномоченных) сервисных центрах указана в гарантийном талоне и на сайте www.vitek.ru

Единая справочная служба:
+7 (495) 921-01-70

Сделано в Китае

КӨКӨНІСТЕР МЕН ЖЕМІСТЕРГЕ АРНАЛҒАН КЕПТІРГІШ VT-5051 BK

Электрлік кептіргішті пайдаланып, Сіз көкөністерді, жемістерді дайындап, етті, балықты сүрлеп, дәрілік немесе татымдық өсімдіктерді кептіріп, әртүрлі гүлдерді және т.б. суалдыра аласыз.

Сипаттамасы

1. Корпусы
2. Қоректендіру сөндіргішінің батырмасы
3. Жарықтық көрсеткіш
4. Температура реттегіші
5. Шешілмелі торлары бар кептіруге арналған секциялар
6. Қақпағы

НАЗАР АУДАРЫҢЫЗ!

- Қосымша қорғаныс үшін қоректендіру тізбегінде 30 мА аспайтын номиналды іске қосылу тоғы бар қорғаныс сөну құрылғысын (ҚСҚ) орнату жөн; орнату үшін маманға хабарласу керек.

ҚАУІПСІЗДІК ШАРАЛАРЫ

Құрылғыны пайдалану алдында берілген пайдалану бойынша нұсқаулықты зейін қойып оқып шығыңыз және оны анықтамалық материал ретінде пайдалану үшін сақтап қойыңыз.

Құрылғыны тек оның тікелей міндеті бойынша берілген нұсқаулықта жазылғандай пайдаланыңыз. Аспапты дұрыс пайдаланбау оның бұзылуына, пайдаланушыға немесе оның мүлкіне зиян келтіруіне әкелуі мүмкін.

- Іске қосу алдында электр желісіндегі кернеу құрылғының жұмыс кернеуіне сәйкес келетініне көз жеткізіңіз.
- Аспапты тек оның тікелей міндет бойынша ғана пайдаланыңыз, Жеткізілім жинағына кіретін жабдықтарды ғана қолданыңыз.
- Құрылғыны жылуға төзімді тұзу тұрақты бетке, жылу, ылғал және тікелей күн сәулелері көздерінен алшақ орнатыңыз.
- Аспапты сепкіштер сөбілетін немесе тез тұтанатын сұйықтықтар пайдаланылатын жерлерде іске қоспаңыз.
- Аспапты бөлмелерден тыс пайдаланбаңыз.
- Аспапты пайдаланғанда желілік бауды оның толық ұзындығына тарқату ұсынылады.
- Желілік бау:
 - ыстық беттермен жанаспауы,
 - үшір шеттермен тартылмауы керек.

- Желілік баудың айыртетігін электрлік ашалықтан суырғанда, баудан тартпаңыз, ал айыртетіктен ұстаңыз.
- Желілік баудың айыртетігінен сулы қолмен ұстамаңыз.
- Ешқашан жұмыс істеп тұрған аспапты қараусыз қалдырмаңыз.
- Үздіксіз жұмыс істеу уақыты 70 сағаттан аспауы керек. 70 сағат өткеннен кейін құрылғыны сөндіріңіз, оны электрлік желіден ажыратыңыз және салқындауға уақыт беріңіз.
- Құрылғыны суға толы ваннаға немесе қолжуғышқа түсіп кет алатын жерде пайдаланбаңыз және сақтамаңыз, құрылғыны суға немесе кез-келген басқа сұйықтыққа салмаңыз.
- Егер құрылғы суға түсіп кетсе, дереу желілік баудың айыртетігін электрлік ашалықтан суырыңыз, және содан кейін ғана аспапты судан шығаруға болады.
- Аспаптың желдетіс саңылауларына судың тиюіне жол бермеңіз.
- Балалардың қауіпсіздігі мақсатында орау ретінде пайдаланылатын полиэтилен қаптарды қараусыз қалдырмаңыз.

Назар аударыңыз! Балаларға полиэтилен қаптармен немесе орайтын үлдірмен ойнауға рұқсат етпеңіз. **Тұншығу қаупі бар!**

- Құрылғы жұмыс істеп тұрған кезде балаларға прибор корпусына, желілік сымға және желілік сым ашасына қол тигізуіне рұқсат етпеңіз.
- Балалар приборды ойыншық ретінде пайдаланбас үшін оларды қадағалап отырыңыз.
- Егер жұмыс істеп тұрған құрылғының қасында балалар немесе мүмкіндіктері шектелген тұлғалар болса аса назар болыңыз.
- Бұл құрылғы балалардың қолдануына арналмаған.
- Жұмыс істеу және салқындау уақытында құрылғыны балалардың қолы жетпейтін жерде орналастырыңыз.
- Дене, жүйке немесе сана мүмкіндіктері төмендетілген тұлғалардың (балаларды қоса) немесе оларда тәжірибесі немесе білімі болмаса, егер олар бақыланбаса немесе олардың қауіпсіздігі үшін жауап беретін тұлғамен аспапты пайдалану туралы нұсқаулықтар берілген болмаса, аспап олардың пайдалануына арналмаған.
- Кептіргішті жоғарғы қақпақсыз пайдалануға тыйым салынады, аспап жұмыс істегенде қақпақты ұзақ уақытқа шешпеңіз.

ҚАЗАҚША

- Егер сіз кептіру процесін бақылау үшін қақпақты шешсеңіз, онда сақ болыңыз және бетіңіз бен дененің басқа ашық бөліктерін кепітуге арналған секциялардың үстіне таямаңыз.
- Құрылғының ыстық бететріне қолыңызды тигізбеңіз.
- Кептіруге арналған секциялар жұмыс істегенде қызады. Шешу алдында оларға салқындауға уақыт беріңіз.
- Аспап корпусының кез-келген саңылауларына бөтен заттарды салмаңыз.
- Әр пайдаланған сайын немесе тазалау алдында аспапты электрлік желіден ажыратыңыз.
- Аспапты өз бетімен жөндеуге тыйым салынады. Аспапты өз бетіңізбен бөлшектемеңіз, кез-келген ақаулықтар пайда болғанда қоректендіру элементтерін батареялық бөліктен шығарыңыз және кепілдік талоны мен www.vitek.ru сайтында көрсетілген хабарласу мекен-жайлары бойынша кез-келген туындыгерлес (өкілетті) қызмет көрсету орталығына хабарласыңыз.
- Қоршаған ортаны қорғау мақсатында, аспаптың қызмет ету мерзімі аяқталғаннан кейін оны тұрмыстық қоқыстармен бірге тастамаңыз, аспапты арнайы пунктке келесі қайта өңдеу үшін өткізіңіз.
- Бұзылуларға жол бермеу үшін құрылғыны тек зауыттық орауда ғана тасымалдаңыз.
- Құрылғыны балалардың қолы жетпейтін жерде сақтаңыз.

ҚҰРЫЛҒЫ ТЕК ТҰРМЫСТА ПАЙДАЛАНУҒА АРНАЛҒАН

Алғашқы пайдалану алдында

Құрылғыны төмен жағдайларында сақтаған немесе тасымалдаған кезде оны бөлме температурасында 3 сағаттан кем емес уақыт ұстау керек.

- Құрылғының жұмысына кедергі болатын ке-келген орау элементтерін және жапсырмаларды жойыңыз.
- Құрылғының жұмыс істеу кернеуі сіздің үйіңіздегі электржелісі кернеуіне сәйкес келетініне көз жеткізіңіз.
- Кептіруге арналған секцияларды (5) және қақпақты (6) бейтарап жуғыш заты бар жылы сумен жуыңыз, жақсылап құрғатыңыз.
- Аспап корпусы (1) дымқыл матамен сүртіңіз, содан кейін құрғатып сүртіңіз.

Назар аударыңыз! Аспап корпусын суға немесе басқа кез-келген сұйықтықтарға салуға тыйым салынады. Аспап корпусының желдетіс саңылауларына судың тиюіне жол бермеңіз.

Құрылғыны пайдалану

Ескерту: Алғашқы пайдаланған кезде қыздырғыш элемент жұмыс істегенде бөтен иіс пайда болуы мүмкін, бұл қалыпты құбылыс.

- Тағамдарды кептіру алдында, жуу, кептіру және шағын бөліктерге турау керек.
- Бөліктер арасынан ыстық ауаның еркін өтуін қамтамасыз ететіндей тағамдарды кептіруге арналған секцияларға (5) орналастырыңыз. Ыстық ауаның секцияларда (5) еркін қозғалуы керек екенін есте сақтаңыз.
- Секцияларды (5) бір-біріне орнатыңыз. Барлық 5 секцияны да орнатыңыз, олардың барлығы толы болмаса да.

Ескерту:

- егер сіз тағамдардың мүлдем жұқа бөліктерін пайдалансаңыз, онда секцияларды (5) бір-бірінің үстіне қойыңыз;
- анағұрлым қалың тағам бөліктерін кептірген кезде жоғарғы секцияны (5) төменгі секцияға 180 градусқа аударып қойыңыз;
- одан да қалың тағамдарды кептіру қажет болғанда, Сіз секцияның (5) ішіндегі бір немесе бірнеше шешілмелі торды шеше аласыз.
- Секцияларды (5) қақпақпен (6) жабыңыз.
- Желілік баудың айыртетігін электрлік ашалыққа салыңыз.
- Қыздыру температурасын реттегіпен (4) белгілеңіз. Егер бөліктер жұқа және кішкентай болса немесе кейбір секциялар (4) бос болса, төмен температураны белгілеңіз. Қалың және үлкен бөліктер үшін жоғары температураны белгілеңіз («Дайындау температурасы және ұзақтығы» тарауын қар.).
- Қоректендіру сөндіргішінің батырмасына (2) басып, құрылғыны іске қосыңыз, осы кезде жарықтық көрсеткіш (3) жанады.

Ескерту: Кептіргіш ауаның табиғи конвекциясы қағидасы бойынша жұмыс істейді, сондықтан төменгі секцияларда орналасқан құрамдас бөліктерге анағұрлым ыстық және құрғақ ауаның әсері тиеді және олар тезірек кебеді. Кептірудің ең жақсы нәтижелерін қамтамасыз ету үшін анағұрлым дымқыл құрамдас бөліктерді төменгі секцияларға салу

және жоғарғы және төменгі секциялардың орнын үнемі ауыстыру ұсынылады. Секциялардың орнын ауыстыру алдында, қоректендіру сәндіргішінің батырмасына (2) басып, құрылғыны сәндіріңіз.

– Тағамдарды келтіруді аяқтағаннан кейін қоректендіру сәндіргіші батырмасына (2) басып құрылғыны сәндіріңіз және желілік баудың айыртетігін ашалықтан суырыңыз.

Ескерту:

- Әр сағат сайын тағамдардың дайындығын тексеріңіз. Егер тағамдар біркелкі келтірілмесе, сіз анағұрлым біркелкі келтіру үшін құрамдас бөліктерді аударма немесе секциялардың (5) орнын ауыстыра аласыз.
- Әрбір құрамдас бөліктің келтіру уақыты жеке таңдалады және сапасына, көлеміне, бөлмедегі температура мен ылғалдылыққа байланысты болады. Анағұрлым нақты ақпаратты «Дайынау температурасы мен ұзақтығы» тарауынан қараңыз.
- Құрылғыға және құрамдас бөліктерге салқындауға уақыт беріңіз.
- Дайын құрамдас бөліктерді қаптарға немесе банкаларға салыңыз және оларды сақтауға салып қойыңыз («Тағамдарды сақтау» тарауын қар.).

ҰСЫНЫСТАР

Тағамдық улануға және ішек ауруларына жол бермеу үшін төменде келтірілген ұсыныстарды қатаң сақтаңыз.

- Тағамдарды келтіруге дайындау алдында қолыңызды жақсылап жуыңыз.
- Жұмыс бететрінің тазалығын сақтаңыз. Келтіргішті әр пайдаланған сайын секциялар (5) мен қақпақты (6) бейтаап жуғыш заты бар жылы сүмеен жуыңыз. Егер сіздің қолыңызда кесілулер, жаралар болса, немесе сіз тері ауруларымен ауырсаңыз, тағамдарға қолыңызды тигізбеңіз.
- Тағамдардың дайындығын тексергенде, оларға қолыңызды тигізбеңіз, ал шанышқыны, асханалық қалақты немесе басқа құралдарды пайдаланыңыз.
- Келтіргішті пайдаланған уақытта үй жануарларын асханаға жібермеңіз.

Келтіруге арналған көкөністер мен жемістерді таңдау

- Жаңа жұлынған жемістер мен көкөністерді пайдаланыңыз.

- Тек піскен жемістер келтіруге жарамды, піспеген жемістерде бөтен дәм пайда болуы мүмкін.
- Пісіп кеткен жемістер келтіргеннен кейін өзінің түсін өзгертуі мүмкін.
- Барлық бүлінген жерлерін кесіп тастаңыз.
- Барлық көкөністер келтіруге жарамды емес, себебі жемістерге қарағанда олардың құрамында қант пен қышқылдар аз. Кейбір көкөністерді, мысалы, брокколи немесе спаржаны, келтіру емес, мұздату ұсынылады.
- Көкөністер құрғақ және қатты болғанда, дайын болады.

Тағамдарды дайындау

- Тағамдарды жақсылап жуыңыз.
- Жемістерден сүйектерді және бүлінген бөліктерді жойыңыз.
- Қажет болғанда көкөністердің қалың қабығын жойыңыз. Егер көкөністерге балауыз жағылған болса, қабығын міндетті жойыңыз.
- Жемістердің сабақтарын жойыңыз.
- Көкөністерді немесе жемістерді тілімдерге немесе текшелерге тураңыз.
- Жидектерді немесе жүзімді тұтас келтіріңіз.
- Жасыл-көкті немесе хош иісті шөптерді сабақтарымен бірге келтіріңіз.
- Тағамдардың дәмдік қасиеттерін жақсарту және сақталу мерзімін ұзарту үшін оларды алдын-ала өңдеңіз. Берілген қадам міндетті болып есептелмейді.
- Тағамдарды алдын-ала өңдеп және өңдемей келтіріп көріңіз, сізге жарамды әдісті таңдаңыз.

Жемістерді алдын-ала өңдеу

- Жемістердің табиғи түсін сақтау үшін ананастың, лимонның, апельсиннің немесе лаймның шырынын пайдаланыңыз. Жеміс бөліктерін шырынға 2 минутқа салыңыз, содан кейін оларға кебуге уақыт беріңіз және секцияларға (5) келтіру үшін салыңыз.
- Жемістердің дәмін күшейту үшін келтіріліп жатқан жемістердің шырынын пайдаланыңыз (мысалы, алма шырынын алма үшін). Шырынның төрттен бір бөлігін екі стакан суға езіңіз, жемістерді ерітіндіге 2 сағатқа салып қойыңыз.
- Кейбір жемістер (құрма, жүзім, мүкжидек, алхоры) табиғи балауызбен қапталған. Балызды жою және келтіру процесін тездету үшін тағамдарды қайна жатқан суға 1-2 минутқа салыңыз.

ҚАЗАҚША

Көкөністерді алдын-ала өңдеу

Көкөністерді алдын-ала өңдеу кептіру және сақтау процесінде дәмнің өзгеруіне әкелетін ферменттерді жояды.

Көкөністерді бумен немесе микротолқынды пеште өңдеу қайнаған сумен өңлегеннен тиімдірек.

- Көкөністерді бұға пісіргіштің жрғағы табағына салыңыз және 2-3 минут жылытыңыз. Көкөністерді секцияларға (5) бірден салыңыз.
- Көкөністерді АЖЖ-пештерінде пайдалануға жарамды ыдысқа салыңыз және оған шамалы су қосыңыз. Ыдысты қақпақпен жабыңыз және оны микротолқынды пешке салыңыз. Сіздің АЖЖ-пешіңіздің нұсқаулығында көрсетілген пісіру уақытынан $\frac{1}{4}$ бөлігін белгілеңіз. Дайын тағамдарды секцияларға (5) салыңыз.
- Туралған көкөністерді қайнап жатқан суға салыңыз, 3-4 минуттан кейін оларды шығарыңыз, қағаз сүлгімен құрғатыңыз, содан кейін секцияларға (5) салыңыз.

Кептіру температурасы және ұзақтығы

Төменде келітірілген дайындау температурасы және ұзақтығы туралы мәліметер ұсыныстық сипатта болады, себебі әрбір құрамдас бөлікті кептірууақыты жеке таңдалады және тағамның сапасы мен көлеміне, сонымен қатар бөлмедегі температура мен салыстырмалы ылғалдылыққа байланысты болады.

Көкөністер мен жемістерге арналған кептіргішті игеру барысында сіз өзіңіз кептіру уақытын таңдай аласыз.

Дайын жемістер жұмсақ, ылғалсыз болуы керек. Қатты кептірілген жемістер жаман сақталады және пайдалы заттары аз болады.

Кептірілген көкөністер қатты және снғыш болуы керек.

Дайындаудың ұсынылатын температурасы

Тағамда	Температура (°C)
Шөптер, жасыл-көк	40-45
Нан қытырлақтары	40-55
Көкөністер	40-55
Жемістер	55-60
Ет, Балық	55-70

Ескерту: Егер сіз бір ретте тағамдарды кептіруге үлгермесеңіз, сіз кептіруді сізге ыңғайлы уақытта жалғастыра аласыз. Бұл жағдайда кептіруге арналған секциялардағы

(5) тағамдарды бөлме температурасына дейін салқындатыңыз, тағамдарды полиэтилен қаптарға немесе тағамдық контейнерлерге салыңыз және оларды тоңазытқыштың мұздату камерасына салыңыз.

Қосымша мүмкіндіктер

Шөптер, гүлдер, хош иістер

- Тәжірибеде барлық шөптер кептіруге жарамды.
- Хош иісті шөптерді сабақтарымен бірге кептіріңіз, кептіргеннен кейін жапырақтарды сабақтарынан бөліңіз.
- Шөптердің жақсы кептірілгеніне көз жеткізіңіз, кері жағдайда шіру процесі бастала алады.
- Кептірілген гүлдерді хош иісті сашеларды құрау үшін пайдалануға болады.

Ет пен балықты кептіру

- Шикі немесе піскен ет немесе балықты кептіріңіз. Ет немесе балықты алдын-ала дайындау сіздің денсаулығыңызды сақтайды және міндетті болып есептеледі.
- Сүрленген ет немесе балықты бірінші немесе екінші тағамдарды дайындау үшін пайдалануға болады. Қабылдау алдында оларды суға немесе сорпаға 1 сағатқа салып қойыңыз.
- Кептіру үшін майсыз етті (мысалы, сиыр, құс) және жаңа ауланған балықты таңдаңыз.
- Балықты және етті алдын-ала тұздаңыз немесе пісіріңіз.

Тұздық дайындау әдісі:

- 0,5 стакан соя тұздығы
- 1 шай қасық туралған сарымсақ
- 2 ас қасық томат пастасы
- 1,25 шай қасық тұз
- 0,5 шай қасық ұнтақталған бұрыш

Сүрленген еті дайындау

Сиыр етін тарамдарда көлденең шағын бөліктерге тураңыз. Ет бөліктерін тұздыққа 3 сағатқа салып қойыңыз, содан кейін шығарыңыз және құрғатыңыз. Бөліктерді кептіруге арналған секцияларға салыңыз, 8-15 сағат бойы кептіріңіз. Сүрленген етті бөлме температурасында 2 аптадан асырмай сақтаңыз, тоңазытқышта – 3 айдан асырмай.

Сүрленген балықты дайындау

Сүрленген балықты дайындау үшін мұздатылған балықты пайдаланбаңыз. Сүйектерін жойыңыз,

балықты бөліктіреге бөліңіз. Балықты тұз ерітіндісіне (жарты стакан тұз 1 литр суға) салыңыз және 30 минутқа тоңазытқышқа салыңыз, балық бөліктерін шығарыңыз және құрғатыңыз. Балық бөліктерін тиабәкқа салыңыз тұз бен дәмдеуіштерді (1 шай қасық тұз 1 кг балыққа) себіңіз. табақты жабыңыз және тоңазытқышқа 6 сағатқа салыңыз.

Балық бөліктерін кептіруге арналған секцияларға (4) салыңыз және сәл бөлінбегенге дейін кептіріңіз. Балықты тоңазытқышта 3 айдан артық сақтамаңыз.

Дайын балықты немесе етті кептіру

Балықты немесе етті алдын-ала пісіріп алыңыз. Майын кесіп алыңыз, текшелерге тураңыз. Дайын болғанға дейін кептіріңіз. Тығыз орауда бөлме температурасында 2 аптадан артық емес, тоңазытқышта – 3 айдан артық емес сақтаңыз.

Тағамдарды сақтау

Кептірілген тағамдарды дұрыс ораусақтау мезімін ұзартады.

- Тағамдарға толық салқындауға уақыт беріңіз, содан кейін оларды тығыз пластик қаптарға салыңыз. Тағамдарды вакуумда орауда сақтау ең жақсы нәтижелер береді.
- Кептірілген тағамдар сақталатын тағамдық контейнерлерде немесе қаптарда тағамның атауын және кептіру уақытын жазып қойыңыз.
- Тағамдардың бұзылу уақытын алдын-алу үшін кептірілген тағамдары бар ораудларда ылғалдың пайда болуын тексеріп тұрыңыз. Ылғал табылса, тағамдарды қайталап құрғатыңыз.
- Тағамдарды қараңғы салқын жерде сақтаңыз. Кептірілген тағамдарды сақтаудың оптималды температурасы 15°C-ден аспауы керек. Кептірілген тағамдарды сақтау үшін тоңазытқыштың тоңазытатын немесе мұздатын бөлігін пайдаланыңыз.
- Көкөністерге қарағанда, жемістердің қант пен қышқылдары көбірек, сондықтан кептіруге және сақтауға анағұрлым жарамдырақ. кепітірілген жемістердің күйін үнемі тексеріп тұрыңыз.
- Кептірілген жемістерді, көкөністерді, жасыл-көкті, дәрілік шөптерді, жаңғақтарды және анн қытырлақтарын тоңазытқышта/мұздатынқышта 1 жылдан асырмай сақтаңыз.

Тазалау және күтімі

- Құрылғыны сөндіргішпен (2) сөндіріңіз желілік баудың айыретігін электрлік ашалықтан шығарыңыз, құрылғыға салқындауға уақыт беріңіз.
- Секцияларды (5) және қақпақты (6) бейтарап жуғыш заты бар жылы смуен жуыңыз, құрғатыңыз.
- Корпусты (1) немесе секцияларды (5) атазалау үшін қажайтын жуғыш заттарды немесе ерітінділерді пайдаланбаңыз.
- Кептіргіш корпусын (1) жұмсақ, сәл дымқыл матамен сүртіңіз, содан кейін құрғатып сүртіңіз.
- Корпусты (1) суға немесе кез-келген сұйықтықарға салмаңыз. Корпустың (1) желдетіс саңылауларына судың тиюіне жол бермеңіз.

Сақталуы

- Құрылғыны сақтауға қойғанға дейін, құрылғын тазалаңыз.
- Құрылғыны құрғақ салқын, балалардың қолы жетпейін жерде сақтаңыз.

Жеткізілім жинағы

Кептіргіш – 1 дн.

Пайдалану бойынша нұсқаулық – 1 дн.

Техникалық сипаттамалары

Электрқорегі: 220-240 В ~ 50 Гц

Қуаты: 250 Вт

Көлемі: 10 л

Өндіруші құрылғылардың сипаттамаларын өзгерту құқығын алдын-ала хабарлаусыз сақтайды.

Аспттың қызмет ету мерзімі – 3 жыл

Гарантиялық міндеттілігі

Гарантиялық жағдайдағы қаралып жатқан бөлшектер дилерден тек сатып алынған адамға ғана беріледі. Осы гарантиялық міндеттілігіндегі шағымдалған жағдайда төлеген чек немесе квитанциясын көрсетуі қажет.



УКРАЇНЬСКА

СУШАРКА ДЛЯ ОВОЧІВ ТА ФРУКТІВ VT-5051 BK

Використовуючи електричну сушарку, Ви можете заготовлювати овочі, фрукти, в'ялити м'ясо, рибу, сушити лікарські або пряні трави, засушувати різноманітні квіти і т.ін.

Опис

1. Корпус
2. Кнопка вимикача живлення
3. Світловий індикатор
4. Регулятор температури
5. Секції для сушіння зі знімними решітками
6. Кришка

УВАГА!

- Для додаткового захисту доцільно в ланцюг живлення встановити пристрій захисного відключення (ПЗВ) з номінальним струмом спрацьовування, що не перевищує 30 мА; для установки слід звернутися до фахівця.

ЗАХОДИ БЕЗПЕКИ

Перед початком експлуатації пристрою уважно прочитайте цю інструкцію з експлуатації і збережіть її для використання в якості довідкового матеріалу.

Використовуйте пристрій лише по його прямому призначенню, як викладено в даній інструкції. Неправильне поводження з приладом може привести до його поломки, спричинення шкоди користувачеві або його майну.

- Перед вмиканням переконайтеся в тому, що напруга електричної мережі відповідає робочій напрузі пристрою.
- Використовуйте прилад лише по його прямому призначенню, застосовуйте лише ті аксесуари, які входять в комплект поставлення.
- Встановлюйте пристрій на теплостійкій, рівній і стійкій поверхні, далеко від джерел тепла, вологи і прямого сонячного світла.
- Не вмикайте прилад в місцях, де розпилюються аерозолі або використовуються легкозаймисті рідини.
- Не використовуйте прилад поза приміщеннями.
- При експлуатації приладу рекомендується розмотати мережевий шнур на всю його довжину.
- Мережевий шнур не має:
 - стикатися з гарячими предметами,
 - протягуватися через гострі кромки.

- Виймаючи вилку мережного шнура з розетки, не тягніть за шнур, а тримайтеся за вилку.
- Не беріться за вилку мережевого шнура мокрими руками.
- Ніколи не залишайте працюючий прилад без нагляду.
- Час безперервної роботи не повинен перевищувати 70 годин. Після закінчення 70 годин роботи вимкніть пристрій, відключите його від електричної мережі і дайте приладу остигнути.
- Не використовуйте та не зберігайте пристрій у місцях, де він може впасти у ванну або раковину, наповнену водою, не занурюйте пристрій у воду або у будь-яку іншу рідину.
- Якщо пристрій впав у воду, негайно витягніть мережеву вилку з електричної розетки, і лише після цього можна дістати прилад з води.
- Не допускайте потрапляння води в вентиляційні отвори приладу.
- З міркувань безпеки дітей не залишайте поліетиленові пакети, що використовуються як упаковка, без нагляду.

Увага! Не дозволяйте дітям грати з поліетиленовими пакетами або пакувальною плівкою. **Загроза ядухи!**

- Не дозволяйте дітям торкатися корпусу пристрою, мережного шнура або вилки мережного шнура під час роботи пристрою.
- Здійснюйте нагляд за дітьми, щоб не допустити використання пристрою як іграшки.
- Будьте особливо уважні, якщо поблизу від працюючого пристрою знаходяться діти або особи з обмеженими можливостями.
- Цей пристрій не призначений для використання дітьми.
- Під час роботи і охолодження розміщайте пристрій у місцях, недоступних для дітей.
- Пристрій не призначений для використання особами (включаючи дітей) зі зниженими фізичними, психічними і розумовими здібностями або при відсутності у них досвіду або знань, якщо вони не знаходяться під контролем або не проінструктовані щодо використання пристрою особою, відповідальною за їх безпеку.
- Забороняється використовувати сушарку без верхньої кришки, під час роботи приладу не знімайте кришку на тривалий час.

- Якщо ви зняли кришку, щоб проконтролювати процес сушіння, то дотримуйтеся обережності, не розташовуйте обличчя та інші відкриті ділянки тіла над секціями для сушіння.
- Не торкайтеся гарячих поверхонь пристрою.
- Секції для сушки під час роботи нагріваються. Перед зняттям дайте їм охолонути.
- Не вставляйте сторонні предмети в будь-які отвори корпусу приладу.
- Кожного разу після використання і перед чищенням вимикайте пристрій від електричної мережі.
- Забороняється самостійно ремонтувати пристрій. Не розбирайте пристрій самостійно, при виникненні будь-яких несправностей, а також після падіння пристрою вимкніть пристрій з електричної розетки та зверніться до найближчого авторизованого (уповноваженого) сервісного центру за контактними адресами, вказаними у гарантійному талоні та на сайті www.vitek.ru.
- Для захисту навколишнього середовища після закінчення терміну служби пристрою не викидайте його разом з побутовими відходами, передайте пристрій у спеціалізований пункт для подальшої утилізації.
- Щоб уникнути пошкоджень перевозьте пристрій тільки в заводській упаковці.
- Зберігайте пристрій у місцях, недоступних для дітей.

ПРИЛАД ПРИЗНАЧЕНИЙ ЛИШЕ ДЛЯ ПОБУТОВОГО ВИКОРИСТАННЯ

Перед першим використанням

Після транспортування або зберігання приладу при зниженій температурі необхідно витримати його при кімнатній температурі не менше 3 годин.

- Видалите будь-які наклейки і елементи упаковки, що заважають роботі пристрою.
- Переконайтеся у тому, що робоча напруга пристрою відповідає напрузі електромережі у вашому будинку.
- Промийте секції для сушіння (5) і кришку (6) теплою водою з нейтральним миючим засобом, ретельно просушіть.
- Корпус приладу (1) протріть вологою тканиною, потім витріть досуха.

Увага! Забороняється занурювати корпус приладу у воду або в будь-які інші рідини. Не допускайте потрапляння води у вентиляційні отвори корпусу пристрою.

Використання пристрою

Примітка: При першому використанні можлива поява стороннього запаху при роботі нагрівального елемента, це допустимо.

- Продукти перед сушінням необхідно промити, висушити та порізати на невеликі шматочки.
- Розкладіть продукти на секціях для сушіння (5) так, щоб забезпечити вільний прохід гарячого повітря між шматочками. Пам'ятайте, що повітря має вільно циркулювати у секціях (5).
- Установіть секції (5) одну на одну. Встановлюйте всі 5 секції, навіть якщо деякі з них не заповнені.

Примітка:

- якщо ви використовуєте зовсім тонкі шматочки продуктів, то ставте секції (5) одну на одну;
- при сушінні товстіших шматочків продуктів переверніть верхню секцію (5) відносно нижньої секції (5) на 180 градусів;
- якщо необхідно висушити продукт з ще більшою товщиною, Ви можете зняти одну або декілька знімних решіток всередині секцій (5).
- Накрийте секції (5) кришкою (6).
- Вставте вилку мережевого шнура в електричну розетку.
- Установіть необхідну температуру нагріву регулятором (4) Установіть низьку температуру, якщо шматочки тонкі та маленькі або деякі секції (4) порожні. Для товстих та великих шматочків установіть високу температуру (див. розділ «Температура та тривалість приготування»).
- Увімкніть пристрій, натиснувши на кнопку вимикача живлення (2), при цьому засвітиться індикатор (3).

Примітка: Сушарка працює за принципом природної конвекції повітря, тому інгредієнти, розташовані на нижніх секціях, схильні до дії найгарячішого і сухішого повітря і висихають швидше. Для забезпечення найкращих результатів рекомендується укладати вологіші інгредієнти на нижні секції і періодично міняти нижні і верхні секції місцями. Перед тим, як поміняти секції місцями, вимкніть

УКРАЇНЬСКА

пристрій, натиснувши на кнопку вимикача живлення (2).

- Після закінчення сушіння продуктів вимкніть пристрій, натиснувши на кнопку вимикача живлення (2), та вийміть вилку мережного шнура з розетки.

Примітки:

- Кожну годину перевіряйте продукти на готовність. Якщо продукти сушаться нерівномірно, ви можете перевернути інгредієнти або міняти місцями секції (5) для більш рівномірного сушіння.
- Час сушіння кожного інгредієнта підбирається експериментально і залежить від якості, розміру, температури і відносної вологості в приміщенні. Докладнішу інформацію дивіться в розділі «Температура та тривалість приготування».
- Дайте пристрою і висушеним інгредієнтам остигнути.
- Розфасуйте готові інгредієнти у пакети або банки та приберіть на зберігання (див. розділ «Зберігання продуктів»).

РЕКОМЕНДАЦІЇ

Щоб уникнути харчових отруєнь і кишкових захворювань строго дотримуйтеся наступних рекомендацій.

- Ретельно мийте руки перед підготуванням продуктів до сушіння.
- Дотримуйтеся чистоти робочих поверхонь. Після кожного використання сушарки промивайте секції (5) і кришку (6) теплою водою з нейтральним миючим засобом. Не торкайтеся продуктів голими руками, якщо у вас на руках є порізи, виразки або якщо ви страждаєте шкірними захворюваннями.
- Перевіряючи, чи готові продукти, не торкайтеся їх руками, а використовуйте для цього вилку, кухонну лопатку або і інші приладдя.
- Не допускайте домашніх тварин на кухню під час використання сушарки.

Вибір овочів і фруктів для сушіння

- Використовуйте тільки свіжі фрукти або овочі.
- Лише стиглі фрукти придатні для сушіння, неспілі плоди можуть отримати сторонній присмак.
- Перезрілі фрукти можуть змінити свій колір після сушіння.
- Вирізуйте будь-які зіпсовані місця.

- Не всі овочі придатні для сушіння, так як на відміну від фруктів вони містять меншу кількість цукрів і кислот. Деякі овочі, наприклад, броколі і спаржу, рекомендується не сушити, а заморозувати.
- Овочі готові, якщо вони стали сухими та твердими.

Підготування продуктів

- Ретельно промийте продукти.
- Видаліть у фруктів кісточку та ушкоджені частини.
- При необхідності видаліть з овочів товсту шкурку. Обов'язково зрізуйте шкірку, якщо овочі покриті воском.
- Видаліть плідоніжки у фруктів.
- Поріжте овочі або фрукти скибочками або кубиками.
- Ягоди або виноград можна сушити цілком.
- Зелень або пряні трави сушіть разом зі стеблами.
- Щоб поліпшити смакові якості продуктів і збільшити їх термін зберігання, заздалегідь обробіть їх перед сушінням. Даний крок не є обов'язковим.
- Спробуйте сушити продукти з попередньою обробкою і без неї і вирішите, який спосіб приготування личить саме вам.

Попередня обробка фруктів

- Щоб зберегти природний колір фруктів використовуйте сік ананаса, лимона, апельсина або лайму. Занурте шматочки фруктів в сік на 2 хвилини, потім дайте їм обсохнути і викладіть на секції (5) для сушіння.
- Щоб підсилити натуральний смак фруктів, використовуйте натуральний сік, приготований з того типу фруктів, який піддається сушінню (наприклад, яблучний сік - для яблука). Четверть стакану натурального соку розведіть в двох стаканах води, замочіть фрукти в розчині на 2 години.
- Деякі фрукти покриті захисним шаром натурального воску (фініки, виноград, журавлина, сливи тощо). Щоб видалити віск та прискорити процес сушіння, опустіть продукти у киплячу воду на 1-2 хвилини.

Попередня обробка овочів

Попередня обробка овочів руйнує ферменти, які викликають зміну смаку в процесі сушіння та зберігання.

Обробка паром або в мікрохвильовій печі переважна обробки окропом.

- Покладіть овочі на верхній лоток пароварки і прогрійте їх протягом 2-3 хвилин. Зразу перекладіть овочі на секції (5).
- Покладіть овочі в відповідну ємність для використання у НВЧ-печах та додайте до неї невелику кількість води. Закрийте ємність кришкою і помістіть її в мікрохвильову піч. Установіть час, який складає від часу варіння, вказаного в інструкції до вашої НВЧ-печі. Готові овочі перекладіть на секції (5).
- Опустіть порізані овочі у киплячу воду, через 3-4 хвилини дістаньте їх, обсушіть паперовим рушником, потім розкладіть на секціях (5).

Температура та тривалість приготування

Наступні дані про температуру та тривалість приготування носять рекомендаційний характер, оскільки час сушіння кожного інгредієнта підбирається індивідуально і залежить від якості і розміру продуктів, а також від температури і відносної вологості в приміщенні.

У міру освоєння сушарки для овочів і фруктів ви сами зможете підібрати бажаний час сушіння.

Готові фрукти мають бути м'якими, без вологи. Пересушені фрукти гірше зберігаються і містять менше живильних речовин.

Овочі повинні мати бути твердими та ламкими.

Рекомендована температура приготування

Продукти	Температура (°C)
Трави, зелень	40-45
Сухарики з хліба	40-55
Овочі	40-55
Фрукти	55-60
М'ясо, риба	55-70

Примітка: Якщо ви не встигли висушити продукти за одним разом, ви можете продовжити сушіння в зручний для вас час. У цьому разі остудіть продукти у секціях сушарки (5) до кімнатної температури, перекладіть продукти у поліетиленові пакети або харчові контейнери та помістіть їх в морозильну камеру холодильника.

Додаткові можливості

Трави, квіти, прянощі

- Практично будь-які трави придатні для сушіння.
- Сушіть пряні трави разом із стеблами, після сушіння від'єднайте листя від стебел.
- Переконайтеся тому, що трави добре висушені, інакше може початися процес гниття.
- Висушені квіти можна використовувати для складання ароматних саше.

Сушіння м'яса і риби

- Сушіть сире або приготоване м'ясо або рибу. Попереднє підготування м'яса або риби зберігає ваше здоров'я та є обов'язковим.
- В'ялене м'ясо або рибу можна використовувати для приготування перших та других страв. Перед споживанням замочіть їх у воді або бульйоні на 1 годину.
- Вибирайте для сушіння тільки пісне м'ясо без жиру (наприклад, яловичину, птицю) і лише свіжу рибу.
- Рибу і м'ясо заздалегідь замаринуйте або відваріть.

Рецепт маринаду:

- 0,5 стакана соєового соусу
- 1 чайна ложка нарізаного часнику
- 2 столових ложки томатної пасты
- 1,25 чайної ложки солі
- 0,5 чайної ложки меленого перцю

Приготування в'яленого м'яса

Яловичину поріжте проти волокон на невеликі шматочки. Покладіть скибочки м'яса в маринад на 3 години, потім витягніть і обсушіть. Розкладіть шматочки на секції для сушіння, сушіть протягом 8-15 годин. В'ялене м'ясо зберігайте в герметичній упаковці при кімнатній температурі не більше 2 тижнів, в холодильнику – не більше 3 місяців.

Приготування в'яленої риби

Для приготування в'яленої риби не використовуйте заморожену рибу. Видалите кістки, поріжте рибу на шматочки. Помістіть рибу у розчин солі (півстакана солі на 1 літр води) та на 30 хвилин поставте в холодильник, витягніть шматочки риби і обсушіть. Покладіть шматочки риби на блюдо і посипте сіллю з

УКРАЇНЬСКА

приправами (1 чайна ложка солі на 1 кг риби). Закрийте блюдо і поставте в холодильник на 6 годин.

Шматочки риби викладіть в секції для сушіння і (4) сушіть до тих пір, поки не перестане виділятися сік. Зберігайте рибу в холодильнику не більше 3 місяців.

Сушіння готової риби або м'яса

Заздалегідь відварите рибу або м'ясо. Видайте жир, поріжте кубиками. Сушіть до готовності. Зберігайте в герметичній упаковці при кімнатній температурі не більше 2 тижнів, в холодильнику – не більше 3 місяців.

Зберігання продуктів

Правильне упакування сушених продуктів збільшує термін зберігання.

- Дайте продуктам повністю остигнути після сушки, потім помістите їх в герметичні пластикові пакети. Найкращий результат дає зберігання продуктів у вакуумній упаковці.
- На харчових контейнерах та пакетах, у яких будуть зберігатися висушені продукти, зробіть позначку з назвою продукту та поставте дату сушіння.
- Щоб запобігти псуванню продуктів, періодично перевіряйте, чи не утворилася волога у упаковках з сушеними продуктами. Виявивши вологу, повторно висушіть продукти.
- Зберігаєте продукти в сухому прохолодному місці. Оптимальна температура для зберігання сушених продуктів має бути не вище 15°C. Для зберігання сушених продуктів використовуйте холодильник або морозильне відділення холодильника.
- В порівнянні з овочами фрукти містять більше цукру і кислот, тому більш придатні для сушіння і зберігання. Регулярно перевіряйте стан сушених продуктів.
- Зберігайте сушені фрукти, овочі, зелень, лікувальні трави, горіхи та сухарі у холодильнику/морозильнику не більш 1 року.

Чищення та догляд

- Вимкніть пристрій вимикачем (2) та витягніть вилку мережевого шнура з електричної розетки, дайте пристрою остигнути.
- Промийте секції (5) і кришку (6) теплою водою з нейтральним миючим засобом, просушіть.
- Забороняється використовувати для чищення корпусу (1) або секцій (5) абразивні миючі засоби та розчинники.
- Корпус сушарки (1) протріть м'якою, злегка вологою тканиною, потім витріть досуха.
- Не занурюйте корпус (1) у воду або будь-які інші рідини. Не допускайте потрапляння води у вентиляційні отвори корпусу (1).

Зберігання

- Перед тим, як прибрати пристрій на зберігання зробіть чищення пристрою.
- Зберігайте пристрій в сухому, прохолодному місці, недоступному для дітей.

Комплект постачання

Сушарка – 1 шт.

Інструкція з експлуатації – 1 шт.

Технічні характеристики

Електроживлення: 220-240 В ~50 Гц

Потужність: 250 Вт

Об'єм: 10 л

Виробник залишає за собою право змінювати характеристики пристроїв без попереднього повідомлення

Термін служби приладу – 3 роки

Гарантія

Докладні умови гарантії можна отримати в дилера, що продав дану апаратуру. При пред'явленні будь-якої претензії протягом терміну дії даної гарантії варто пред'явити чек або квитанцію про покупку.

Даний виріб відповідає вимогам до електромагнітної сумісності, що пред'являються директивою 2004/108/ЕС Ради Європи й розпорядженням 2006/95/ЕС по низьковольтних апаратурах.



ЖАШЫЛЧАЛАР ЖАНА МӨМӨ-ЖЕМИШТЕРИН КУРГАТКЫЧЫ VT-5051 W

Электрикалык кургаткычты колдонуп сиз жашылчаларды, мөмө-жемиштерди кургатып, этти, балыкты сүрсүтүп, дары же жыттуу чөптөрдү, ар кыл күлдөрдү ж.б. кургатсаңыз болот.

СЫПАТТАМА

1. Корпус
2. Кубаттандыруу өчүргүчтүн баскычы
3. Жарык индикатору
4. Температура жөндөткүчү
5. Чечилме панжаралары бар кургатуу үчүн секциялары
6. Капкак

КӨНҮЛ БУРУНУЗДАР!

- Кошумча коргонуу үчүн ванна бөлмөсүндөгү электр тармагында потенциалдуу иштеткен тогу 30 мА ашырбаган коргоп өчүрүүчү аспабын орнотуу максатка ылайыктуу. Аспапты орнотуу үчүн адиске кайрылыңыз.

КООПСУЗДУК ЧАРАЛАРЫ

Электр шайманды пайдалануудан мурун колдонмону көңүл коюп окуп-үйрөнүп, маалымат катары сактап алыңыз.

Шайманды тике дайындоо боюнча гана, ушул колдонмодо жазылганга ылайыктуу колдонуңуз. Шайманды туура эмес пайдалануу анын бузулуусуна, колдонуучуга же колдонуучунун мүлкүнө зыян келтирүүгө алып келиши мүмкүн.

- Шайманды иштеткенден мурун шаймандын иштөөчү чыңалуусу электр тармагынын чыңалуусуна ылайык болгонун текшерип алыңыз.
- Шайманды тике дайындоо боюнча гана колдонуп, жыйынтыгына кирген аксессуарларды гана пайдаланыңыз.
- Шайманды жылуулуктун, нымдуулуктун булактарынан, тике күн нурунан алыс ысыка чыдамдуу тегиз туруктуу беттин үстүнө орнотуңуз.
- Шайманды аэрозолдорду чачкан же жеңил жалындап кетүүчү суюктуктар колдонулган жерлерде колдонбоңуз.
- Шайманды имараттардын сыртында колдонбоңуз.
- Шайманды иштеткенде электр шнурун толук узундугуна жандырууну сунуш кылабыз.
- Электр шнурун:
 - ысык буюмдарга тийгизбей,
 - учтуу кырлардын үстүнөн тартпаңыз.

- Кубаттуучу сайгычын электр розеткасынан сурганда, электр шнурунан кармап эч качан тартпаңыз, сайгычынан гана кармаңыз.
- Кубаттуучу сайгычын суу колуңуз менен кармабаңыз.
- Иштеп турган шайманды эч качан кароосуз калтырбаңыз.
- Токтоосуз иштөө мезгили 70 сааттан ашпоо зарыл. 70 сааттан кийин шайманды өчүрүп, электр тармагынан ажыратып, муздаганга убакыт бериңиз.
- Шайманды ваннага же суу толтурулган раковинага түшө турган жерлерге салбаңыз да ошол жерлерде сактабаңыз, шайманды сууга же башка суюктукка салбаңыз.
- Шайман сууга түшкөн болсо, токтоосуз кубаттуучу сайгычты розеткадан суруп, андан кийин гана шайманды суудан чыгарсаңыз болот.
- Шаймандын вентиляциялоо тешиктерине суу киргенине жол бербей.
- Балдардын коопсуздугу үчүн таңгак катары колдонулган полиэтилен баштыктарды кароосуз таштабаңыз.

Көңүл буруңуздар! Полиэтилен баштыктар же таңгак пленкасы менен ойногонго балдарга уруксат бербей. **Тумчуктуруунун коркунучу бар!**

- Шайман иштеген учурда балдарга шаймандын корпусун, электр шнурун жана кубаттуучу сайгычын тийгенге уруксат бербей.
- Шайманды оюнчук катары колдонбоо үчүн балдарга көз салыңыз.
- Шайман иштеп турган учурда жанында балдар же жөндөмдүүлүгү төмөн адамдар бар болгондо өзгөчө абайлап туруңуз.
- Бул шайман балдар колдонгону үчүн арналган эмес.
- Шайман иштеп турганда же иштөө циклдердин арасында аны балдар жетпеген жерде сактаңыз.
- Бул шайман дене күчү, сезими же акыл-эси жагынан жөндөмдүүлүгү төмөн (ошонун ичинде балдар да) адамдар же колдонуу боюнча тажрыйбасы же билими жок болгон адамдар, эгерде алардын коопсуздугуна жооптуу адам аларды көзөмөлдөп же шайманды колдонуу жөнүндө инструкциялаган болбосо колдонуу үчүн ылайыкташтырылбаган.
- Кургаткычты үстүндөгү капкагы жок иштетүүгө тыюу салынат, шайман иштеп турган кезде капкагын көпкө чейин алып салбаңыз.
- Кургатуу процессин көзөмөлдөө үчүн капкакты алып салсаңыз, этият болуңуз, бетиңизди жана

денеңиздин башка ачык жерлерин кургатуу үчүн секциялардын үстүнө келтирбеңиз.

- Шаймандын ысык беттерин тийбеңиз.
- Иштеген учурда кургатуу секциялары ысыйт. Аларды чечкенден мурун муздаганга убакыт бериңиз.
- Шаймандын корпусунун ар кыл тешиктерине башка буюмдарды салбаңыз.
- Шаймады колдонгондон кийин жана тазалоонун алдында ар дайым электр тармагынан ажыратыңыз.
- Электр шнурунда, кубаттануучу сайгычында бузулуулар пайда болсо, аспап иштеп-иштебей турса же кулап түшкөндөн кийин аны колдонууга тыюу салынат.
- Шайманды өз алдынча оңдогонго тыюу салынат. Шайманды өз алдынча ажыратпай, ар кыл бузулуулар пайда болгон же шайман кулап түшкөн учурларда аны розеткадан суруп, кепилдик талонундагы же www.vitek.ru сайтындагы тизмесине кирген автордоштурулган (ыйгарым укуктуу) тейлөө борборуна кайрылыңыз.
- Айлана чөйрөнү сактоо максатында шаймандын колдонуу мөөнөтү бүткөндөн кийин аны турмуштук калдыктары менен чогу ыргытпай, утилизациялоо үчүн адистештирилген пунктуна тапшырыңыз.
- Бузулуулар пайда болбоо үчүн шайманды заводдук таңгагында гана транспорттоо зарыл.
- Шайманды балдар жетпеген жеринде сактаңыз.

АСПАП ТУРМУШ-ТИРИЧИЛИК КОЛДОНУУГА ГАНА АРНАЛГАН

Биринчи колдонуунун алдында

Төмөндөгөн температурада шайманды транспорттоодон же сактоодон кийин аны үч сааттан кем эмес мөөнөткө үй температурасында сактоо зарыл.

- Шаймандын иштөөсүнө тоскоолдук кылган ар кыл таңгак элементтерин жана чаптамаларын алып салыңыз.
- Шаймандын иштөө чыңалуусу электр тармагындагы чыңалуусуна ылайык болгонун текшериниз.
- Кургатуу үчүн секциялары (5) менен капкагын (6) нейтралдуу жуучу каражат менен жылуу сууга жууңуз да кылдаттык менен кургатып салыңыз.
- Шаймандын корпусун (1) бир аз нымдуу чүпүрөк менен сүртүп, кургатып сүртүңүз.

Көңүл буруңуздар! Шаймандын корпусун сууга же ар кыл башка суюктуктарга салууга тыюу салынат. Шаймандын вентиляциялоо тешиктерине суу киргенине жол бербейиз.

Шаймандын колдонуу эрежелери

Эскертүү: Шайманды биринчи жолу колдонгондо ысытуучу элементи иштегенинде башкача жыт пайда болуу мүмкүн, бул нормалдуу.

- Кургатуудан мурун азыктарды жууп, кургатып, кичиреек кесимдерге туурап салуу зарыл.
- Азыктарды кургатуу үчүн секцияларына (5) ысык аба кесимдердин арасында бош өткөндөй кылып жайып салыңыз. Ысык аба секцияларда (5) бош айлангандын керектигин эске тутуңуз.
- Секцияларды (5) бири-биринин үстүнө коюңуз. Кээ бир секциялар бош болсо деле болгон 5 секцияны коюңуз.

Эскертүү: - Такыр эле жука кесимдерди кургатканда, секцияларды (5) бири-биринин үстүнө коюңуз;

- Калыңыраак кесимдерди кургатсаңыз, үстүнкү секцияны (5) төмөнкү секцияга (5) караганда 180 градуска бурап коюңуз;
- Андан да калың кесимдерди кургатканда секциялардын (5) ичиндеги бир же бир нече чечилме панжаларын алып салсаңыз болот.
- Секцияларын (5) капкагы (6) менен жабыңыз.
- Электр шнурунун сайгычын электр розеткасына сайыңыз.
- Ысытуу температурасын жөндөгүчү (4) менен коюңуз. Кесимдер жука жана кичине болсо же кээ бир секциялары (4) бош болсо төмөнкү температураны коюңуз. Калың жана чоң кесимдери үчүн жогору температураны коюңуз («Иштетүүнүн температурасы менен мөөнөтү» бөлүгүн караңыз).
- Кубаттандыруу өчүргүчүн (2) басып шайманды иштетиниз, ошондо жарык индикатору (3) күйөт.

Эскертүү: Кургаткыч абанын табигый конвекциясы негизи менен иштейт, ошол себептен төмөнкү секцияларда жайгашкан азыктар ысыгыраак жана кургагыраак абанын таасирин алып, батыраак кургайт. Кургатуунун эң жакшы натыйжасы үчүн нымдуурак ингредиенттерди төмөнкү секцияларга салып, төмөнкү секциялар менен үстүнкү секцияларды алмаштырып туруу рекомендацияланат. Секцияларды алмаштыруу алдында өчүргүчтүн баскычын (2) басып, шайманды өчүрүңүз.

- Азыктарды кургатып бүткөндөн кийин өчүргүчтүн баскычын (2) басып, шайманды өчүрүңүз да электр шнурунун сайгычын розеткадан суруңуз.

Эскертүү:

- *Азыктардын даярдыгын ар саат сайын текшерип туруңуз. Азыктар текши эмес кургатылып турса, аларды текши кургатуу үчүн ингредиенттерди аралаштырып же секцияларды (5) орду менен алмаштырсаңыз болот.*
- *Ар ингредиенттин кургатуу мөөнөтү сапатына, өлчөмүнө жана имараттагы температурасы менен салыштырмалуу нымдуулугуна байланыштуу болуп, өчүнчө аныкталат. Толук маалыматты «Иштетүүнүн температурасы менен мөөнөтү» бөлүгүндө караңыз.*
- Шайманга жана кургатылган азыктарга муздаганга убакыт бериңиз.
- Даяр ингредиенттерди пакет жана банкаларга салып, сактоо жерине алып салыңыз («Азыктарды сактоо» бөлүгүн караңыз).

РЕКОМЕНДАЦИЯЛАР

Азыктар менен уулануу же ичеги ооруларынан сакталуу үчүн төмөнкү рекомендацияларды тыкандык менен сактаңыз.

- Азыктарды кургатууга даярдагандын алдында колунуздун жакшылап жууңуз.
- Иштөө беттердин тазалыгын сактаңыз. Кургаткычты колдонгондон кийин ар дайым секциялары (5) менен капкагын (6) нейтралдуу жуучу каражат менен жылуу сууга жууңуз. Колунузда кесиктер, жаралар бар болсо же тери ооруларыңыз бар болсо азыктарды колунуз менен тийбеңиз.
- Азыктардын даярдыгын текшергенде аларды колунуз менен тийбей, вилка, ашкана күрөгүн же башка буюмдарды колдонуңуз.
- Кургаткычты иштетүү мезгилинде үй жаныбарларды ашканага киргизбеңиз.

Кургатуу үчүн жашылчаларды жана

мөмө-жемиштерди таңдоо

- Жаңы жашылчаларды жана мөмө-жемиштерди гана колдонуңуз.
- Бышкан жемиштер гана кургатууга ылайык болот, бышпаган жемиштер башкача даамын тартып алышы мүмкүн.
- Өтө бышкан жемиштер кургатылгандан кийин өңүн алмаштырышы мүмкүн.
- Болгон бузулган жерлерин кесип алыңыз.

- Жашылчаларда мөмөлөргө караганда азыраак шекерлер менен кычкылдыктары бар болуп, алардын бардыгы эмес кургатууга ылайыктуу болот. Кээ бир жемиштерди, мисалы, брокколи менен спаржаны, кургатпай тондуруусу кеңеш берилет.
- Жемиштер кургак жана катуу болгондо даяр болот.

Азыктарды даярдатуу

- Азыктарды жакшылап жууңуз.
- Мөмөлөрдүн данектерин жана бузулган жерлерин алып салыңыз.
- Керек болсо, жашылчалардын катуу кабыгын алып салыңыз. Жемиштер мом менен капталган болсо, кабыгын милдеттүү түрдө алыңыз.
- Мөмөлөрдүн сабактарын алып салыңыз.
- Жашылчаларды жана мөмө-жемиштерди тилимдерге же кубиктерге туурап салыңыз.
- Бөрүлөрдү жана жүзүмдү толук бойдон кургатыңыз.
- Жашылча чөптөрдү жана жыттуу чөптөрдү сабагы менен кургатыңыз.
- Азыктардын даамын өзгөртүү жана сактоо мөөнөтүн узартуу үчүн аларды кургатуудан мурун иштетсеңиз болот. Бул милдеттүү кадам эмес.
- Азыктарды алдын ала иштетүү менен жана алдын ала иштетпей кургатып көрүп, сиз үчүн ылайык болгон жолун таңдаңыз.

Мөмөлөрдү алдын ала иштетүү

- Мөмөлөрдүн табигый өңүн сактоо үчүн ананас, лимон, апельсин же лаймдин ширесин колдонуңуз. Мөмөлөрдүн кесимдерин 2 минутага ширенин ичине салып, андан кийин аларды бир аз кургатып, кургаткычтын секцияларына (5) жайып салыңыз.
- Мөмөлөрдүн даамын күчөтүү үчүн кургатылып турган мөмөлөрдүн табигый ширесин (мисалы, алма ширени алмалар үчүн) колдонуңуз. Чынынын төрттөн бир бөлүгү ширени эки чыны сууга аралаштырып, мөмөлөрдү эритмеде эки саатка чылап салыңыз.
- Кээ бир мөмөлөр (курма, жүзүм, клюква, кара өрүк ж.б.) табигый мом менен капталган. Момду кетириүү жана кургатуу процессин ылдамдатуу үчүн азыктарды 1-2 минутага кайнаган сууга салыңыз.

Жашылчаларды алдын ала иштетүү

Жашылчаларды алдын ала иштетүү кургатуу жана сактоо убагында даамын өзгөрткөн

КЫРГЫЗ

ферменттерди кыйратат. Жашылчаларды буулатуу же микротолкундуу меште иштетүү ысык суу менен иштетүүгө карата артык болот.

- Жемиштерди буу менен бышыруу аспаптын үстүнкү табагына салып, 2-3 минутанын ичинде ысытып туруңуз. Жемиштерди токтоосуз секциялардын (5) үстүнө жайып салыңыз.
- Микротолкундуу мештин ичинде колдонууга ылайык идишке жашылчаларды салып, бир аз суу кошуңуз. Идишти капкагы менен жабып, микротолкундуу мештин ичине салыңыз. Сиздин микротолкундуу мештин колдонмосунда жазылган бышыруу мөөнөтүнүн жарымын түзгөн мөөнөттү коюңуз. Даяр жашылчаларды секциялардын (5) үстүнө жайып салыңыз.
- Кесилген жашылчаларды кайнаган сууга салып, 3-4 минутадан кийин кагаз сүлгүсү менен кургатып, секциялардын (5) үстүнө жайып салыңыз.

Иштетүүнүн температурасы менен мөөнөтү

Төмөнкүдөгү иштетүү температурасы жана мөөнөтү жөнүндө маалымат рекомендация катары берилген, себеби ар ингредиенттин кургатуу мөөнөтү азыктардын сапаты менен өлчөмүнө жана имараттын ичиндеги температурасы менен салыштырмалуу нымдуулугуна байланыштуу болуп, өзгөчө аныкталат.

Жашылчалар жана мөмөлөр үчүн кургатыкчы колдонуу сайын кургатуунун керектүү мөөнөтүн өзүңүз таңдасаңыз болот.

Даяр мөмөлөр жумушак, нымдуулугу жок болуу зарыл. Өтө кургатылган мөмөлөр жаманыраак сакталып, тамактануу заттары аз болот.

Кургатылган жашылчалар катуу жана сынма болуу зарыл.

Рекомендацияланган кургатуу температурасы

Азыктар	Температура (°C)
Чөптөр, жашылчалар	40-45
Нандын сухарлары	40-55
Жашылча жемиштер	40-55
Мөмө-жемиштер	55-60
Эт, балык	55-70

Эскертүү: Бир жолу иштетүү циклинде сиз азыктарды кургатып бүтпөсөңүз, ыңгайлуу убакытта кургатууну улантсаңыз болот. Ошол учурда азыктарды кургатыкчы секцияларында (5) имарат температурасына

чейин муздатып, азыктарды пакеттерге же азык контейнерлерине салып, муздатыкчтын тоңдургуучуна салыңыз.

КОШУМЧА МУМКУНЧУЛУКТӨРҮ

Чөптөр, күлдөр, жыттуу чөптөр

- Дээрлик бардык чөптөр кургатууга ылайыктуу.
- Жыттуу чөптөрдү сабагы менен кургатыңыз, кургаткандан кийин жалбырактарын сабагынан ажыратыңыз.
- Чөптөр жакшы кургаганын текшерип, андай болбосо чирип бузулуу процесси башталышы мүмкүн.
- Кургатылган күлдөрдү атырдуу сашелерди жасоо үчүн пайдалансаңыз болот.

Эт жана балыкты кургатуу

- Чийки жана бышкан этти же балыкты кургатаңыз болот. Этти жана балыкты алдын ала иштетүү сиздин ден-соолугуңузду сактап, милдеттүү түрдө жасалуу зарыл.
- Сүрсүгөн эт же балык суюк же коюу тамак бышыруу үчүн колдонулса болот. Колдонгондун алдында аны сууга же сорпого бир саатка чылап салыңыз.
- Майы жок арык этти (уй же тоок этин) жана жаңы балыкты кургатуу үчүн таңдаңыз.
- Балыкты же этти алдын ала маринаддап же бышырып салыңыз.

Маринаддын рецепти:

- 0,5 чыны соя чыгы
- 1 чай кашык тууралган сарымсак
- 2 чоң кашык томат пастасы
- 1,25 чай кашык туз
- 0,5 чй кашык тарттырылан калемпир

Этти сүрсүтүү

Уй этин талчанын туурасынан майда кесимдерге бөлүңүз. Эт кесимдерин маринадга 3 саатка чылап, андан кийин чыгарып кургатып салыңыз. Кесимдерди кургатуу секциялардын үстүнө жайып, 8-15 сааттын ичинде кургатып туруңуз. Сүрсүгөн этти герметикалык таңгагында үй температурасында 2 жумадан ашпаган мөөнөткө, муздатыкчы болсо – 3 айдан ашпаган мөөнөткө сактаңыз.

Балыкты сүрсүтүү

Сүрсүтүү үчүн тоңдурулган балыкты колдонуңуз. Кылкандарын чыгарып, балыкты кесиңиз. Балыкты туз эритмесине (жарым чыны туз 1 литр сууга) салып 30 минутага муздатыкчыга салыңыз,

балык кесимдерин чыгарып, кургатып салыңыз. Балык кесимдерин табака салып, үстүнө туз менен жыттуу чөптөрүн себиңиз (туздун 1 чай кашыгы 1 кг балыкка). Табактын үстүн жабып, муздаткычка 6 саатка салыңыз. Балык кесимдерин кургатуу секцияларына (4) салып, суусу сыгып бүткөнүнө чейин кургатып туруңуз. Балыкты муздаткычта 3 айдан ашпаган мөөнөткө сактаңыз.

Бышкан балык же этти кургатуу

Этти же балыкты алдын ала бышырыңыз. Майды алып салып, кубиктерге кесип алыңыз. Даяр болгонунга чейин кургатыңыз. Герметикалык таңгакта үй температурасында 2 жумадан ашпаган мөөнөткө, муздаткычта болсо –3 айдан ашпаган мөөнөткө сактаңыз.

Азыктарды сактоо

Кургатылган азыктарды туура таңгактоо сактоо мөөнөтүн узартат.

- Кургатуудан кийин азыктарды муздатып салыңыз, андан кийин герметикалык пластик баштыктарга салыңыз. Азыктарды вакуум таңгагында сактоосу эк жакшы натыйжаны берет.
- Азыктар сактала турган контейнерлерде же баштыктарда азыктын атын жана кургаткан датасын коюңуз.
- Азыктар бузулбоосуна жол бербөө үчүн кургатылган азыктардын таңгында ным пайда болбогонун мезгилдүү түрдө текшерип туруңуз. Ным пайда болсо, азыктарды кайра кургатыңыз.
- Азыктарды караңгы салкын жерде сактаңыз. Кургатылган азыктарды оптималдуу сактоо температурасы 15°C жогору болбоо зарыл. Кургатылган азыктарды муздаткычтын муздатуу же тоңдуруу бөлүгүндө сактаңыз.
- Жашылчаларга карата, мөмөлөрдө көбүрөөк шекер жана кычкылтектери бар, ошол үчүн алар кургатуу жана сактоого ылайыктуураак. Кургатылган мөмөлөрдүн абалын мезгилдүү түрдө текшерип туруңуз.
- Кургатылган мөмө, жашылча, дары чөп, жаңгак жана нанды муздаткычта/тоңдургучта бир жылдан ашпаган мөөнөткө сактаңыз.

Тазалоо жана тейлөө

- Шайманды өчүргүчү (2) аркылуу өчүрүп, электр шнурунун сайгычын электр розеткасынан суруңуз, шайманды муздатып алыңыз.
- Секцияларды (5) жана капкагын (6) нейтралдуу жуучу каражаты менен жылуу сууга жууп, кургатып алыңыз.
- Корпусун (1) же секцияларын (5) тазалоо үчүн абразивдүү жуучу каражаттарды же эриткичтерди колдонууга тыюу салынат.
- Кургаткычтын корпусун (1) жумшак бир аз нымдуу чүпүрөк менен сүртүп, кургатып сүртүңүз.
- Корпусун (1) сууга же башка суюктуктарга салбаңыз. Корпустун (1) вентиляциялоо тешиктерине суу кирүүгө жол бербейиз.

Сактоо

- Шайманды сактоо жайына алып салуунун алдында аны тазалап алыңыз.
- Шайманды балдар жетпеген кургак салкын жерде сактаңыз.

Жабдыктын жыйынтыгы

Кургаткыч – 1 даана.
Колдонмо – 1 даана.

Техникалык мүнөздөмөсү

Кубаттандыруу чыңалуусу: 220-240 В ~ 50 Гц
Кубаттуулугу: 250 Вт
Көлөмү 10 л

Өңдүрүүчү шаймандардын дизайнин жана техникалык мүнөздөмөлөрүн алдын ала эскертпей өзгөртүү укугун сактайт.

Шаймандын кызмат мөөнөтү – 3 жыл

Кепилдик

Кепилдик берүү шарттары тууралуу толук маалыматтар буюмду саткан сатуучудан алууга болот. Кепилдик шарттарына ылайык талап кылып сатылган товарга чек же дүмүрчөктү көрсөтүү керек.



GB

A production date of the item is indicated in the serial number on the technical data plate. A serial number is an eleven-unit number, with the first four figures indicating the production date. For example, serial number 0606xxxxxx means that the item was manufactured in June (the sixth month) 2006.

RUS

Дата производства изделия указана в серийном номере на табличке с техническими данными. Серийный номер представляет собой одиннадцатизначное число, первые четыре цифры которого обозначают дату производства. Например, серийный номер 0606xxxxxx означает, что изделие было произведено в июне (шестой месяц) 2006 года.

KZ

Бұйымның шығарылған мерзімі техникалық деректері бар кестедегі сериялық нөмірде көрсетілген. Сериялық нөмір он бір саннан тұрады, оның бірінші төрт саны шығару мерзімін білдіреді. Мысалы, сериялық нөмір 0606xxxxxx болса, бұл бұйым 2006 жылдың маусым айында (алтыншы ай) жасалғанын білдіреді.

UA

Дата виробництва виробу вказана в серійному номері на табличці з технічними даними. Серійний номер представляє собою одинадцятизначне число, перші чотири цифри якого означають дату виробництва. Наприклад, серійний номер 0606xxxxxx означає, що виріб був виготовлений в червні (шостий місяць) 2006 року.

KG

Буюм иштеп чыгарылган датасы сериялык номурунда техникалык маалыматтар жадыбалында көрсөтүлгөн. Сериялык номуру он бир орундуу сан болот, анын биринчи төрт саны өндүрүш датасын көрсөтөт. Мисалы, сериялык номуру 0606xxxxxx болгон буюм 2006 жылдын июнине (алтынчы айында) өндүрүлгөн.



ЗАПРЕЩЕНО УТИЛИЗИРОВАТЬ
С БЫТОВЫМ МУСОРОМ.
ОБРАТИТЕСЬ НА СООТВЕТСТВУЮЩИЙ
ПУНКТ ПЕРЕРАБОТКИ ЭЛЕКТРИЧЕСКОГО
И ЭЛЕКТРОННОГО ОБОРУДОВАНИЯ.